



MODEL YAMAHA YZF 1000 R1

YEAR 2007 - 2008

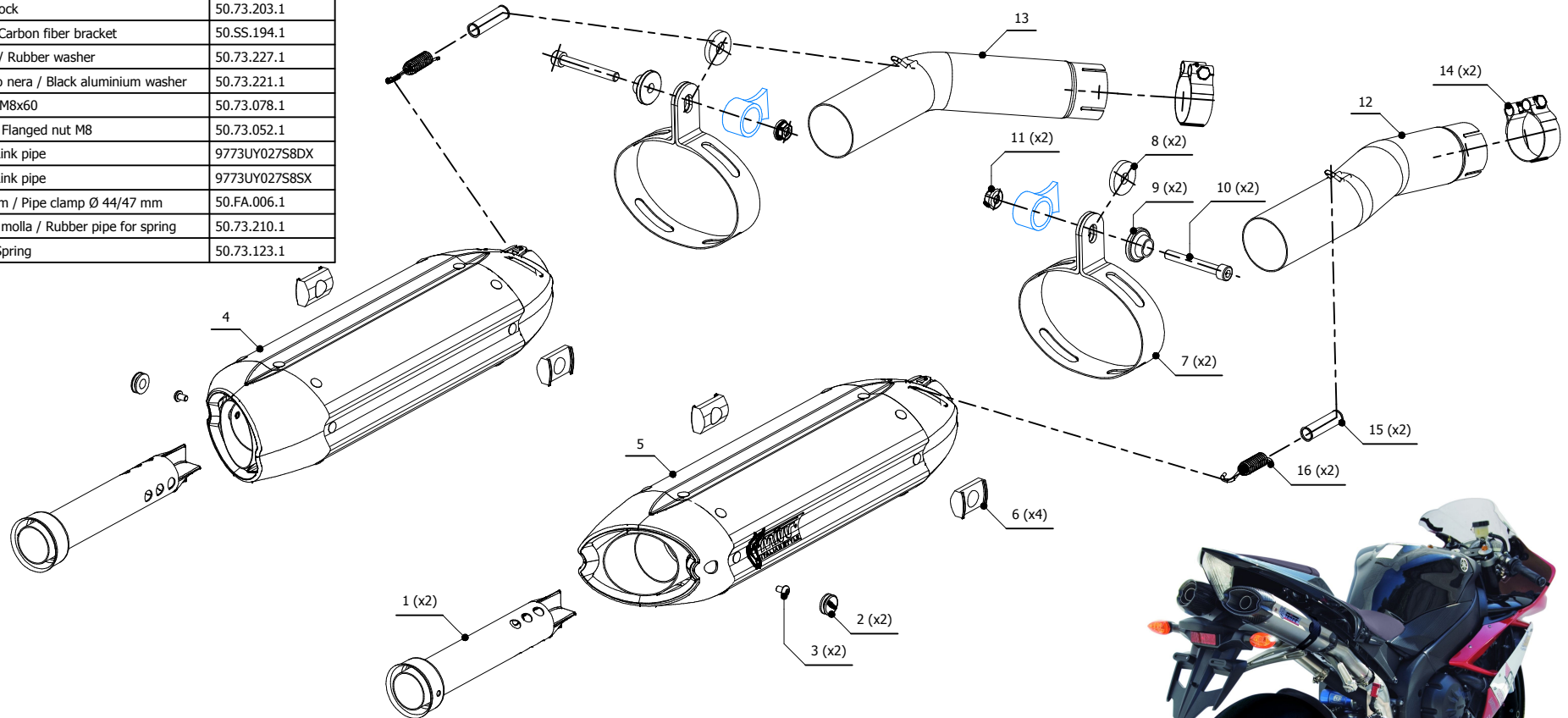
LINE SLIP ON

MUFFLER SUONO FULL TITANIUM

SCHEMATIC

ELENCO PARTI / PARTS LIST

#	QTÀ / QTY	DESCRIZIONE / DESCRIPTION	CODICE / CODE
1	2	DB killer / DB killer	50.DK.037.0
2	2	Tappo in gomma / Rubber stopper	50.73.266.1
3	2	Vite M5 x 8 / Screw M5 x 8	50.73.233.1
4	1	Silenziatore sinistro / Left muffler	SUONO FT 270 SX
5	1	Silenziatore destro / Right muffler	SUONO FT 270 DX
6	4	Tassello / Rubber block	50.73.203.1
7	2	Staffa in carbonio / Carbon fiber bracket	50.SS.194.1
8	2	Rondella in gomma / Rubber washer	50.73.227.1
9	2	Rondella in alluminio nera / Black aluminium washer	50.73.221.1
10	2	Vite M8x60 / Screw M8x60	50.73.078.1
11	2	Dado M8 flangiato / Flanged nut M8	50.73.052.1
12	1	Tubo di raccordo / Link pipe	9773UY027S8DX
13	1	Tubo di raccordo / Link pipe	9773UY027S8SX
14	2	Fascetta Ø 44/47 mm / Pipe clamp Ø 44/47 mm	50.FA.006.1
15	2	Tubo in gomma per molla / Rubber pipe for spring	50.73.210.1
16	2	Molla corta / Short Spring	50.73.123.1



APPLICAZIONI / APPLICATIONS

CODICE / CODE	SILENZIATORE / MUFFLER	TUBO / PIPE	FASCETTA / CLAMP
UY.027.L8	TITANIO (COPPE CARBONIO) / TITANIUM (CARBON CAPS)	TITANIUM	CARBONIO / CARBON FIBER