



MODEL KTM 990 SUPERMOTO SMT

YEAR 2009 -->

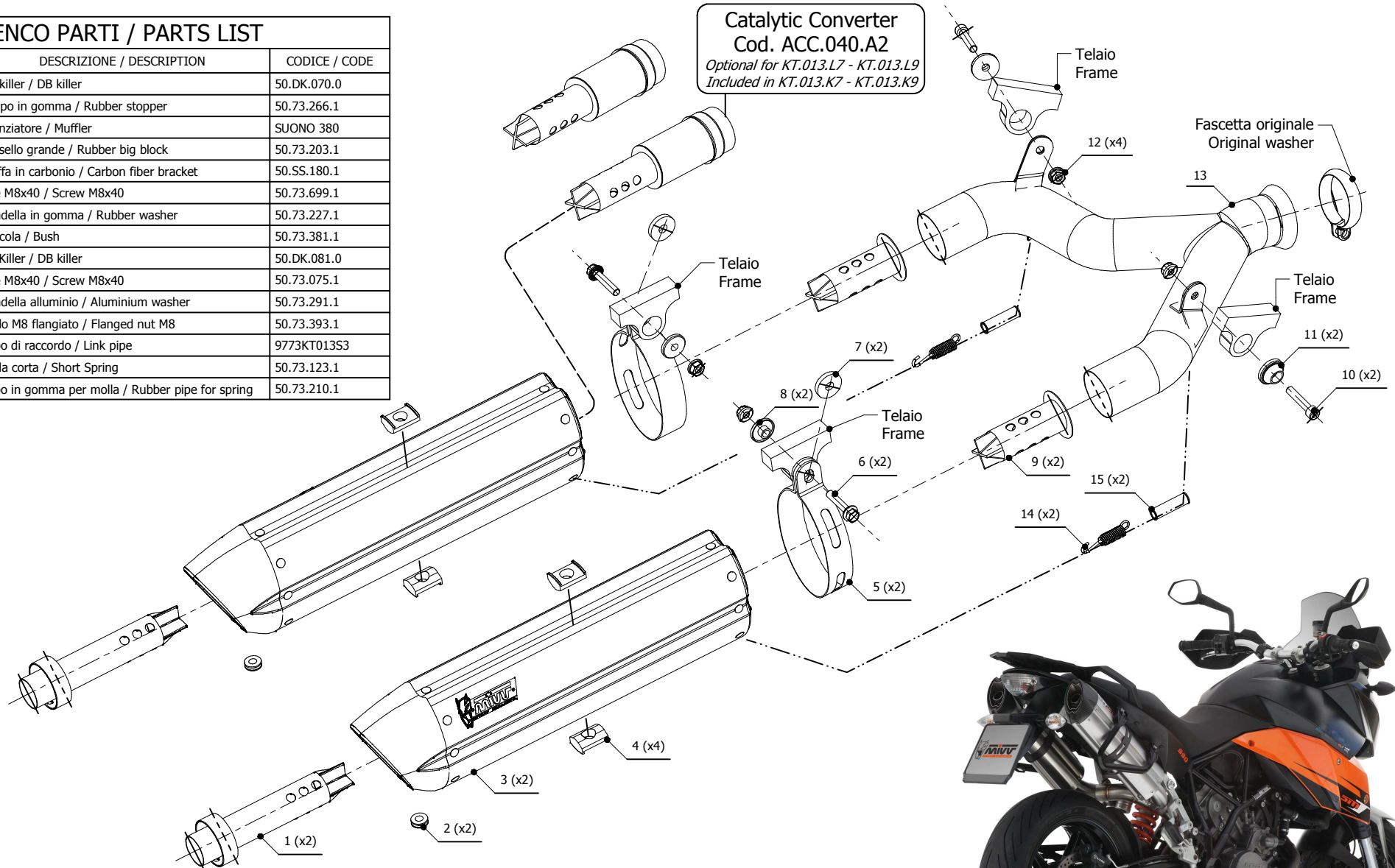
LINE SLIP ON

MUFFLER SUONO

SCHEMATIC

ELENCO PARTI / PARTS LIST

#	QTÀ / QTY	DESCRIZIONE / DESCRIPTION	CODICE / CODE
1	2	DB killer / DB killer	50.DK.070.0
2	2	Tappo in gomma / Rubber stopper	50.73.266.1
3	2	Silenziatore / Muffler	SUONO 380
4	4	Tassello grande / Rubber big block	50.73.203.1
5	2	Staffa in carbonio / Carbon fiber bracket	50.SS.180.1
6	2	Vite M8x40 / Screw M8x40	50.73.699.1
7	2	Rondella in gomma / Rubber washer	50.73.227.1
8	2	Boccola / Bush	50.73.381.1
9	2	Db Killer / DB killer	50.DK.081.0
10	2	Vite M8x40 / Screw M8x40	50.73.075.1
11	2	Rondella alluminio / Aluminium washer	50.73.291.1
12	4	Dado M8 flangiato / Flanged nut M8	50.73.393.1
13	1	Tubo di raccordo / Link pipe	9773KT013S3
14	2	Molla corta / Short Spring	50.73.123.1
15	2	Tubo in gomma per molla / Rubber pipe for spring	50.73.210.1



APPLICAZIONI / APPLICATIONS

CODICE / CODE	SILENZIATORE / MUFFLER	TUBO / PIPE	FASCETTA / CLAMP	NOTE
KT.013.L7 KT.013.L9	INOX (COPPE CARBONIO) / ST. STEEL (CARBON CAPS) STEEL BLACK	INOX / ST. STEEL	CARBONIO / CARBON FIBER	CATALYTIC CONVERTER NOT INCLUDED
KT.013.K7 KT.013.K9	INOX (COPPE CARBONIO) / ST. STEEL (CARBON CAPS) STEEL BLACK	INOX / ST. STEEL	CARBONIO / CARBON FIBER	CATALYTIC CONVERTER INCLUDED

