



MODEL KAWASAKI Z 1000

YEAR 2010

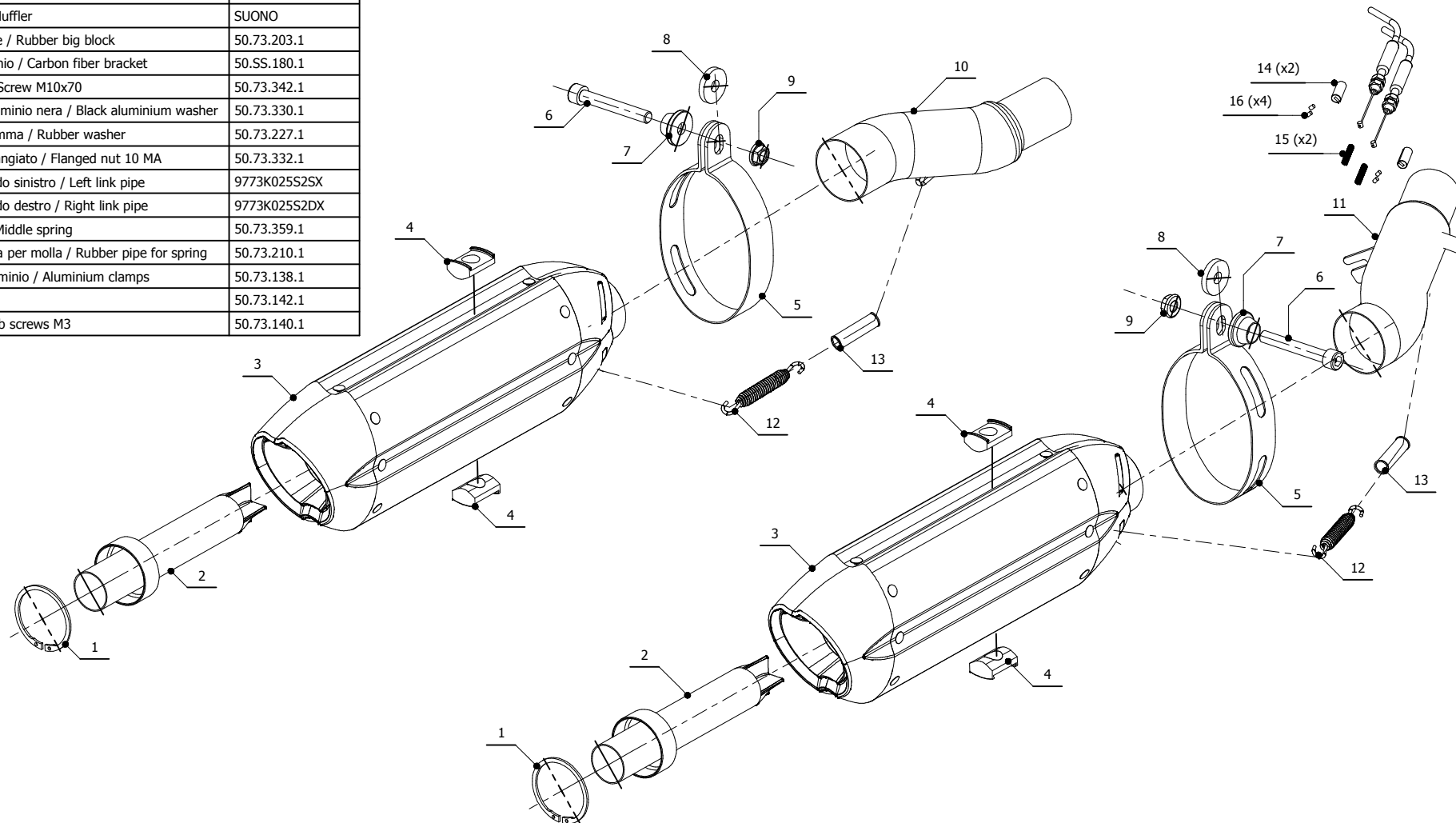
LINE SPORT

MUFFLER SUONO

SCHEMATIC

ELENCO PARTI / PARTS LIST

| # | QTÀ / QTY | DESCRIZIONE / DESCRIPTION | CODICE / CODE |
|----|-----------|---|---------------|
| 1 | 2 | Anello Seger / Seger ring | 50.73.218.1 |
| 2 | 2 | Db Killer forato / Drilled DB killer | 50.DK.025.0 |
| 3 | 2 | Silenziatore / Muffler | SUONO |
| 4 | 4 | Tassello grande / Rubber big block | 50.73.203.1 |
| 5 | 2 | Staffa in carbonio / Carbon fiber bracket | 50.SS.180.1 |
| 6 | 2 | Vite M10x70 / Screw M10x70 | 50.73.342.1 |
| 7 | 2 | Rondella in alluminio nera / Black aluminium washer | 50.73.330.1 |
| 8 | 2 | Rondella in gomma / Rubber washer | 50.73.227.1 |
| 9 | 2 | Dado 10 MA flangiato / Flanged nut 10 MA | 50.73.332.1 |
| 10 | 1 | Tubo di raccordo sinistro / Left link pipe | 9773K025S2SX |
| 11 | 1 | Tubo di raccordo destro / Right link pipe | 9773K025S2DX |
| 12 | 2 | Molla media / Middle spring | 50.73.359.1 |
| 13 | 2 | Tubo in gomma per molla / Rubber pipe for spring | 50.73.210.1 |
| 14 | 2 | Morsetti in alluminio / Aluminium clamps | 50.73.138.1 |
| 15 | 2 | Molla / Spring | 50.73.142.1 |
| 16 | 4 | Grani M3 / Grub screws M3 | 50.73.140.1 |



APPLICAZIONI / APPLICATIONS

| CODICE / CODE | TUBO / PIPE | SILENZIATORE / MUFFLER | FASCETTA / CLAMP |
|---------------|------------------|--|-------------------------|
| K.025.L7 | INOX / ST. STEEL | INOX (COPPE CARBONIO) / ST. STEEL (CARBON CAPS) | CARBONIO / CARBON FIBER |
| K.025.L9 | INOX / ST. STEEL | CARBONIO (COPPE CARBONIO) / CARBON (CARBON CAPS) | CARBONIO / CARBON FIBER |