



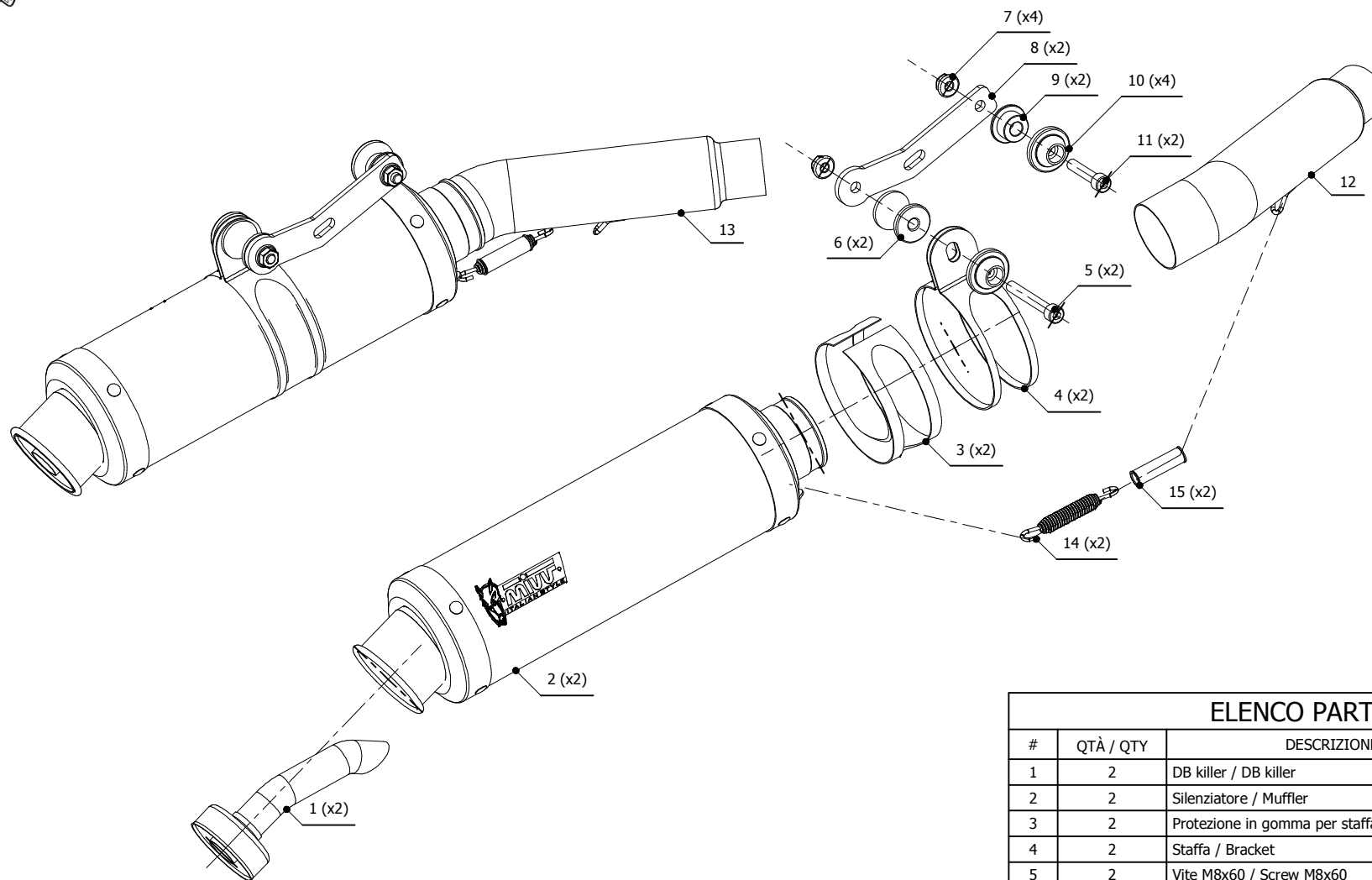
**MODEL** DUCATI MONSTER 695

**YEAR** 2006 - 2008

**LINE** SLIP ON

**MUFFLER** GP

**SCHEMATIC**



**ELENCO PARTI / PARTS LIST**

#	QTÀ / QTY	DESCRIZIONE / DESCRIPTION	CODICE / CODE
1	2	DB killer / DB killer	50.DK.021.0
2	2	Silenziatore / Muffler	GP
3	2	Protezione in gomma per staffa / Rubber protection for bracket	50.73.040.1
4	2	Staffa / Bracket	50.SS.001.0
5	2	Vite M8x60 / Screw M8x60	50.73.078.1
6	2	Distanziale in alluminio / Aluminium spacer (Øe.30 Øi.8,5 h.35)	50.SS.053.1
7	4	Dado M8 flangiato / Flanged nut M8	50.73.393.1
8	2	Staffa / Bracket	50.SS.024.1
9	2	Bussola in alluminio / Aluminium bush	50.73.182.1
10	4	Rondella in alluminio / Aluminium washer	50.73.063.1
11	2	Vite M8x40 / Screw M8x40	50.73.075.1
12	1	Tubo di raccordo destro / Right link pipe	9773D017S2DX
13	1	Tubo di raccordo sinistro / Left link pipe	9773D017S2SX
14	2	Molla lunga / Long spring	50.71.080.1
15	2	Tubo in gomma per molla / Rubber pipe for spring	50.73.210.1

**APPLICAZIONI / APPLICATIONS**

CODICE / CODE	SILENZIATORE / MUFFLER	TUBO / PIPE	FASCETTA / CLAMP
D.019.L2S	CARBONIO / CARBON FIBER	INOX / ST. STEEL	INOX / ST. STEEL
D.019.L6S	TITANIO / TITANIUM	INOX / ST. STEEL	INOX / ST. STEEL