

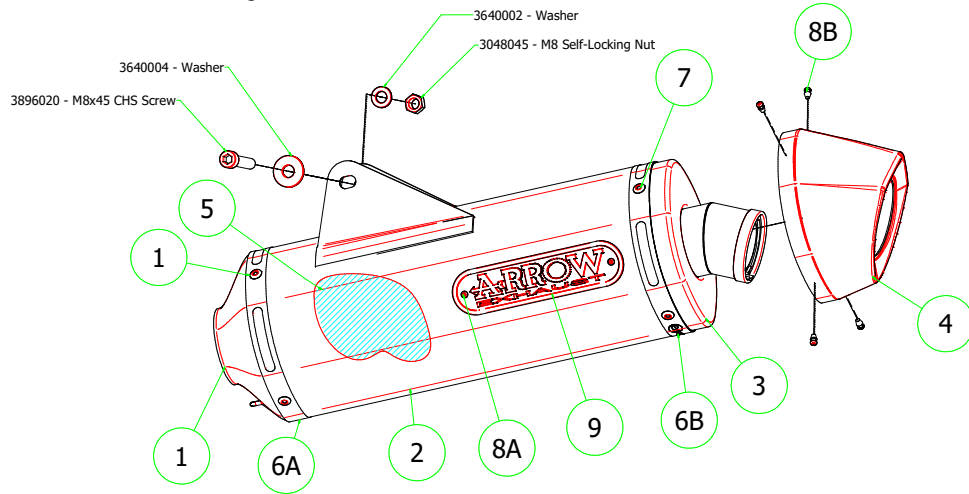
KTM 690 SMC/ENDURO R 2019



72624AKN Homologated Aluminium (Dark Line)

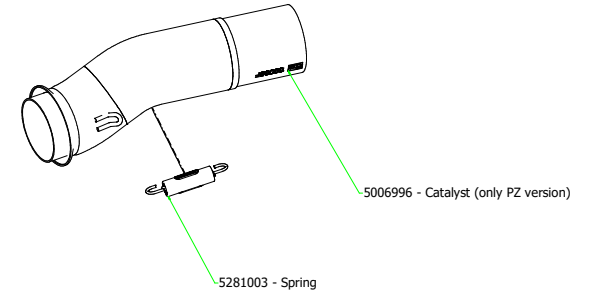
72624AK Homologated Aluminium

72624PK Homologated Titanium



72156PD Mid-Pipe

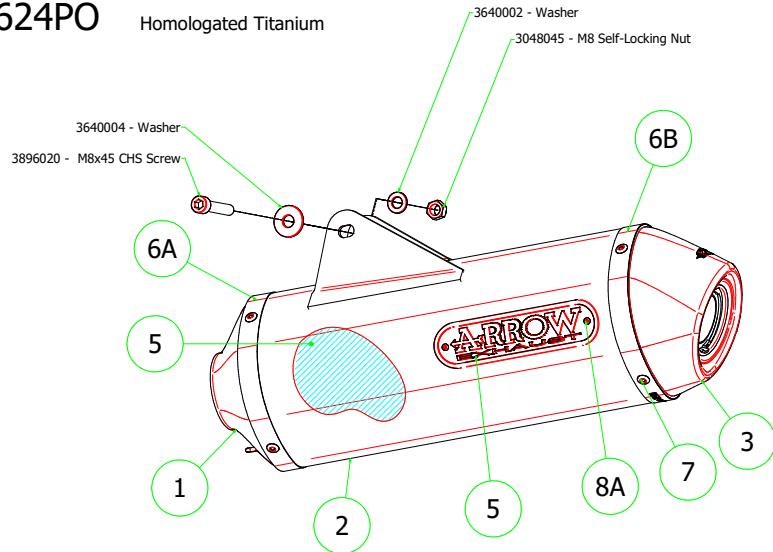
72156PZ Mid-Pipe (Catalyzed)



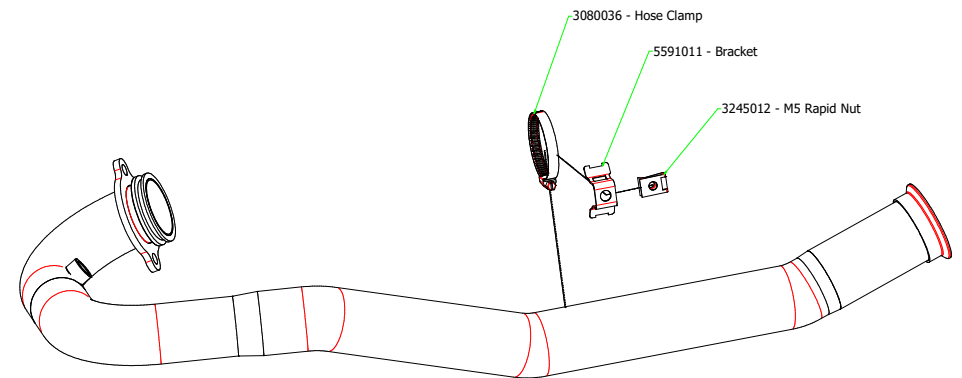
72624AON Homologated Aluminium (Dark Line)

72624AO Homologated Aluminium

72624PO Homologated Titanium



72157PD Racing Collector



PARTI DI RICAMBIO / SPARE PARTS

ID	DESCRIZIONE / DESCRIPTION	72624PK cod	72624AK cod	72624AKN cod	72624PO cod	72624AO cod	72624AON cod
1	Assieme anteriore / <i>Front assembly</i>	5035559	5035559	5035559	5035559	5035559	5035559
2	Corpo Marmitta / <i>Silencer Sleeve</i>	5261128	5257526	5257527	5261128	5257526	5257527
3	Assieme Posteriore / <i>Rear assembly</i>	5009460	5009460	5009460	5009764	5009764	5009764
4	Fondello in carbonio / <i>Carbon fibre end cap</i>	5704060	5704122	5704122			
5	Materiale fonoassorbente / <i>Sound-absorbant material</i>	5690195	5690195	5690195	5690195	5690195	5690195
6A	Fascetta di Serraggio Anteriore / <i>Front Strap For Rivets</i>	5495055	5495058	5495058	5495055	5495058	5495058
6B	Fascetta di Serraggio Posteriore / <i>Rear Strap For Rivets</i>	5495397	5495398	5495398	5495397	5495398	5495398
7	Rivetto inox / <i>Stainless Steel Rivet</i>	3608011	3608011	3608011	3608011	3608011	3608011
8A	Rivetto inox mm 3.0 / <i>Stainless Steel 3.0 mm Rivet</i>	3608010	3608021	3608021	3608010	3608021	3608021
8B	Rivetto inox mm 3.0 / <i>Stainless Steel 3.0 mm Rivet</i>	3608021	3608021	3608021			
9	Targhetta Arrow / <i>Arrow Plate</i>	5855031	5855109	5855109	5855031	5855109	5855109